

43-inch Class 4K UHD LCD Display

TH-43CQ1W

Product specification (design and specification subject to change without notice)

DISPLAY PANEL

Screen Size (Diagonal)	43-inch (1079 mm)
Panel type / Backlight	VA / Direct-LED
Aspect ratio	16:9
Effective Display Area (W x H)	941 x 529 mm
Resolution (H x V)	3840 x 2160
Brightness (Typ)	400 cd/m ²
Contrast Ratio (Typ)	4000:1
Dynamic Contrast Ratio	50000:1
Max. Display Colors	Approx. 1.06 Billion
Response Time (Typ)	8 ms (G to G)
Viewing Angle (Horizontal / Vertical)	178° / 178° (CR \geq 20)
Panel Life Time* ¹ (Typ)	Approx. 50000 hours
Panel Surface Treatment	Anti-glare type (Haze 2%)

*1 When the panel lifetime is at 50% of the brightness under the condition of 25 degrees Celsius (+/- 2 degrees Celsius).

CONNECTION TERMINAL

HDMI IN	HDMI Type A Connector x 2	Linear PCM (Sampling frequency : 48 kHz/44.1 kHz/32 kHz) Compatible with HDCP 2.2
PC IN	Mini D-Sub 15-pin (DDC2B) x 1	Y/G : with sync 1.0 V [p-p] (75 Ω) : without sync 0.7 V [p-p] (75 Ω) P _B /C _B /B : without sync 0.7 V [p-p] (75 Ω) P _R /C _R /R : without sync 0.7 V [p-p] (75 Ω) HD/VD : TTL (high impedance)
SERIAL IN	D-sub 9pin x 1, RS-232C Compatible	
AUDIO IN	Stereo Mini Jack (M3) x 1 (PC IN only)	0.5 V [rms]
AUDIO OUT	Pin Jack (L / R) x 1 Variable (- ∞ - 0 dB) (1 kHz 0 dB Input, 10 k Ω Load)	0.5 V [rms]
LAN	RJ45 x 1 RJ45 10BASE-T/100BASE-TX	
USB	USB Type A Connector x 1, DC 5 V/0.5 A (USB 2.0 is supported)	

AUDIO

Built in Speaker	20W (10W+10W)
------------------	---------------

ELECTRICAL

Power Requirements	AC 220 - 240 V 50 Hz / 60 Hz
Power Consumption	102 W
On Mode Average Power Consumption*	81.3 W
Power Off Condition	Approx. 0.5 W
Stand-by Condition	Approx. 0.5 W
Apparent power	105 VA

*Based on IEC 62087 Ed.2 measurement method

MECHANICAL

Dimension (W x H x D) Not including remote controller sensor box	969 x 560 x 77 mm
Dimension (W x H x D) Including remote controller sensor box	969 x 566 x 77 mm
Weight	Approx. 9 kg
Bezel Color	Black
Bezel Width	T/R/L 11.9 mm B 14.9 mm
Carton Dimensions (W x H x D)	1070 x 675 x 160 mm
Gross Weight	Approx. 13 kg
Cabinet Material	Front: Plastic / Back: Plastic
Pitch for Wall-Hanging	VESA Compliant 200 x 200 mm (Installed by: M6 screws / Screw hole depth 14 mm)

INSTALLATION

Orientation	Landscape
Tilting Angle	0 - 20 degrees forward with landscape setting

*Please contact your sales representative with regard to the tilt angle before installation.

*When you install the product upright, be sure to make the power lamp of the main body come to the upper side.

ENVIRONMENTAL

Operating Environment	Temperature	: 0°C to 40°C* ¹ ; 0°C to 35°C* ²
	Humidity	: 20% to 80% (No condensation)
Storage Environment	Temperature	: -20°C to 60°C
	Humidity	: 20% to 80% (No condensation)

*1 : for up to 1400 m altitude *2 : for between 1400 m and 2800 m altitude

- Depending on the temperature or humidity conditions, uneven brightness may be observed. This is not a malfunction.
- This unevenness will disappear while applying current continuously. If not, consult the distributor.

MAIN FEATURE

USB Media File Playback Function	Yes
Memory Viewer	Yes
Auto setting	Yes
No signal power off	Yes
No activity power off	Yes
Button lock	Yes
RC control lock	Yes
Dynamic contrast	Yes
Dynamic backlight	Yes
SERIAL control (RS232C)	Yes
LAN control	Yes
HDMI CEC Compatible	Yes
Operating Time*	16 / day

* In case of running for a long time, the moving image is recommended to be displayed. If you display a still picture for an extended period, the image retention might remain on the screen. However, image retention can gradually disappear by displaying movie images.

STANDARD (CERTIFICATIONS)

SAFETY REGULATIONS	IE C62368-1 EU:EN 62368-1:2014 BEAB approval AS / NZS Deviation
RADIATION REGULATIONS	EN 55032:2012+AC:2013 (CLASS A) EN 55024:2010, EN 61000-3-2:2014, EN 61000-3-3:2013 AS / NZS CISPR32:2013 RCM Mark

REMOTE CONTROL TRANSMITTER

Power Requirements	DC 3 V (AAA Size batteries x 2)
Operating distance	Approx. 7 m*
Weight	Approx. 91 g including batteries
Dimensions (W x H x D)	48 x 27 x 190 mm

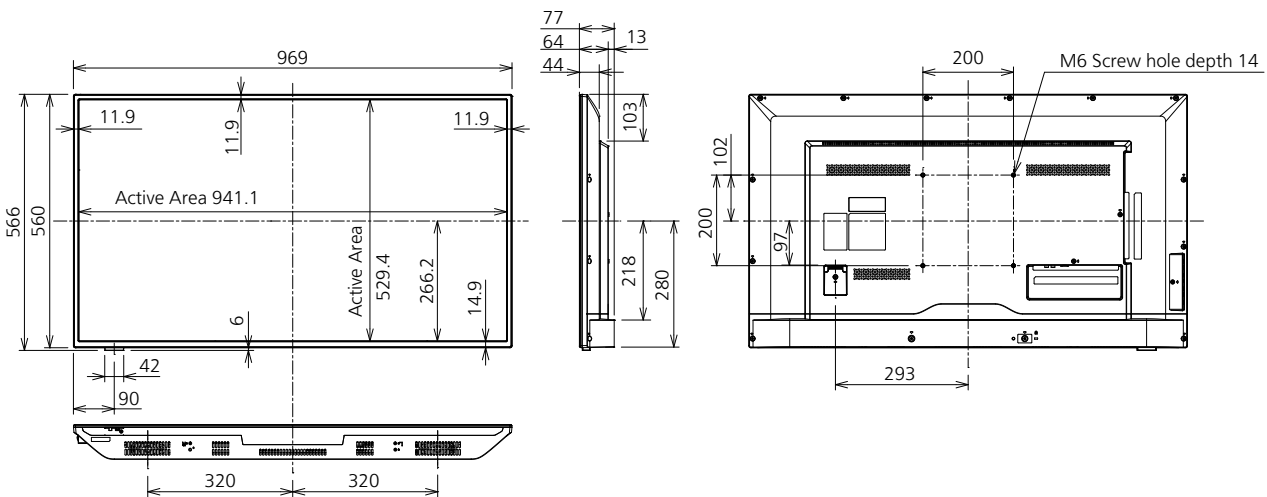
*When operated directly in front of receptor.

INCLUDED ACCESSORIES

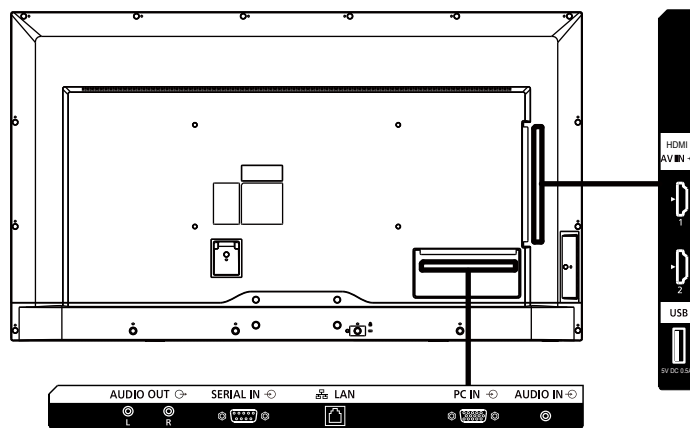
- Remote Control
- Batteries (AAA size) x 2
- AC cord (approx. 1.8 m)
- Operating Instruction Book
- Flyer x 1

DIMENSIONS

Cautions: This drawing is not a scale
Units : mm



CONNECTION TERMINAL



* Specifications and appearance are subject to change without notice.

● List of correspondence signals

Video Signal

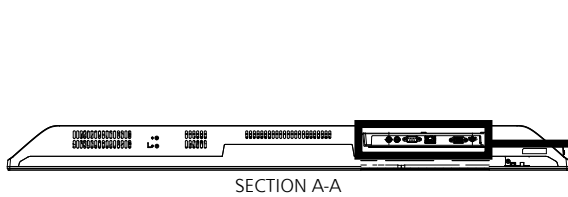
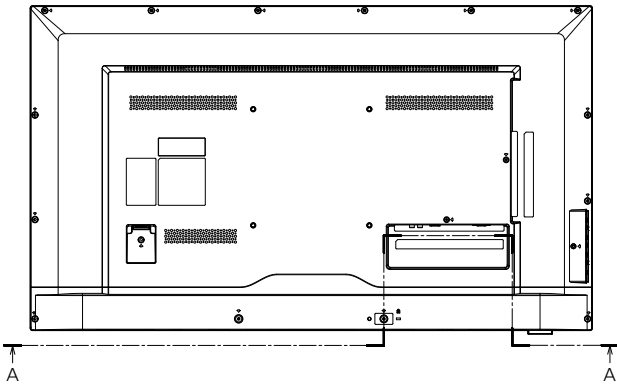
HDMI	
Resolution	Refresh rate (Hz)
640 x 480p	60
720 x 480i	60
720 x 480p	60
720 x 576i	50
720 x 576p	50
1280 x 720p	50
	60
1920 x 1080i	50
	60
1920 x 1080p	24
	25
	30
	50
	60
3840 x 2160p	24
	25
	30
	50
	60
4096 x 2160p	24
	25
	30
	50
	60

PC Signal

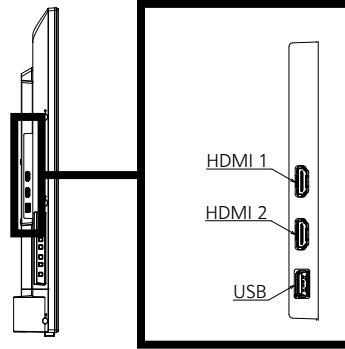
PC / HDMI		✓ : Support - : Not Support	
Resolution	Refresh rate (Hz)	PC	HDMI
640 x 480	60	✓	✓
800 x 600	60	✓	✓
720 x 400	70	✓	✓
1024 x 768	60	✓	✓
1280 x 720	60	✓	✓
1280 x 800	60	✓	✓
1280 x 960	60	✓	✓
1280 x 1024	60	✓	✓
	75	✓	✓
1360 x 768	60	-	✓
1400 x 1050	60	-	✓
1440 x 900	60	✓	✓
1600 x 900	60	✓	✓
1600 x 1200	60	✓	✓
1680 x 1050	60	✓	✓
1920 x 1080	60	✓	✓
1920 x 1200	60	✓	✓
3840 x 2160	30	-	✓
	60	-	✓

● Drawing of terminals

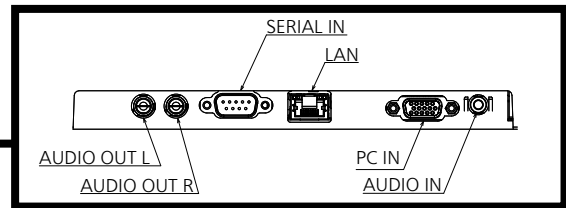
View from back



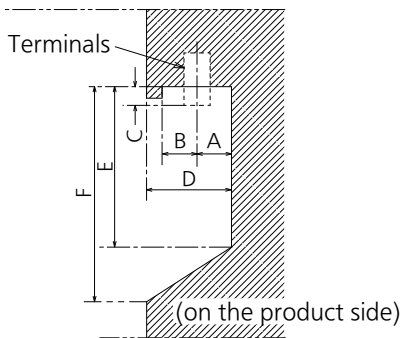
Magnified figure of terminal b



Magnified figure of terminal a



Sectional view of terminal a
(AUDIO OUT L / AUDIO OUT R / SERIAL IN / LAN / PC IN / AUDIO IN)

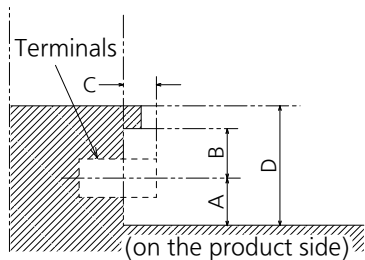


Terminal a
43CQ1W Terminal (Bottom)

Units : mm

	AUDIO OUT	SERIAL IN	LAN	PC IN	AUDIO IN
A	13.1	13.5	12.8	12.2	13.7
B	6.6	6.2	6.9	7.5	6.0
C	8.2	5.4	0.0	5.3	2.5
D	24.0				
E	76.5				
F	79.1				

Sectional view of terminal b
(HDMI 1 / HDMI 2 / USB)



Terminal b
43CQ1W Terminal (Side)

Units : mm

	HDMI	USB
A	11.4	11.4
B	6.9	6.9
C	-	-
D	22.6	

*Due to the construction of terminal, some types of connecting cable or USB memory device cannot be used.
Be sure to use connecting cable or USB memory device after confirmation in this drawing.