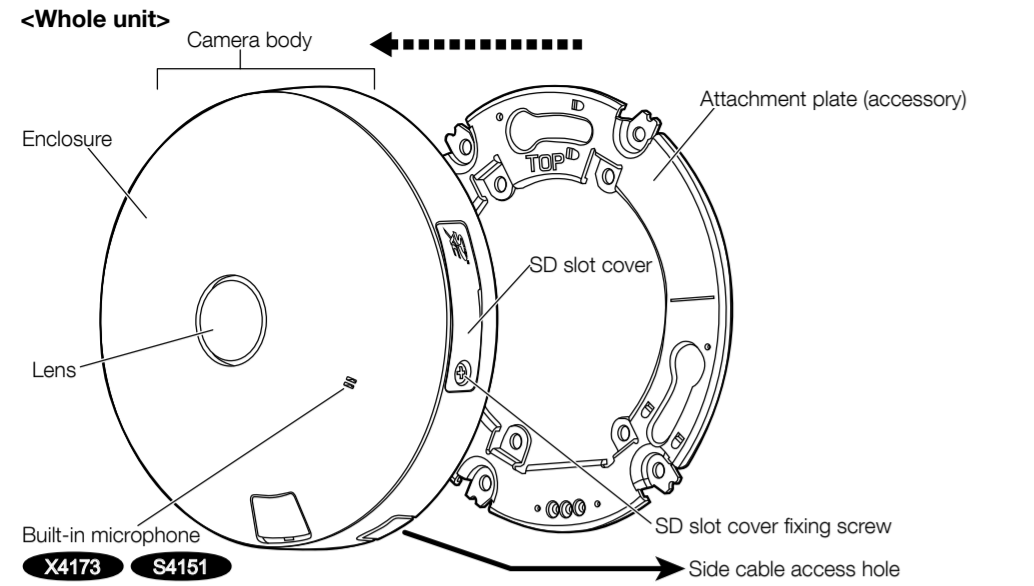
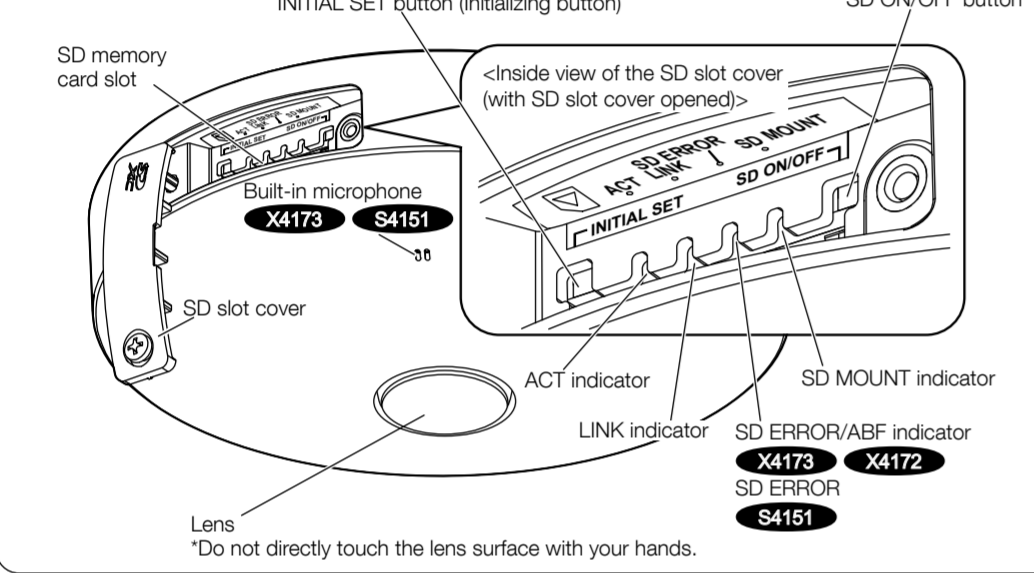


Parts and functions



<Indicators and buttons>



■ Indicators	
Note: • Lighting/blinking LED can be turned off with the software settings at any time. (The initial state is lighting or blinking.) Refer to the Operating instructions for information about settings.	
LINK indicator When the camera is able to communicate with the connected device	Lights orange
ACT indicator When data is being sent via the network camera	Blinks green (accessing)
SD MOUNT indicator When an SD memory card is inserted and could be recognized	Lights off → Blinks green → Lights off
When data can be saved after the SD memory card is inserted and the SD ON/OFF button is pressed (less than 1 second)	Lights off → Lights green
When data can be saved to the SD memory card	Lights green
When the SD memory card is removed after holding down the SD ON/OFF button (about 2 seconds)	Lights green → Blinks green → Lights off
(waiting for recording)	Lights green → Lights off
When data cannot be saved to the SD memory card because an abnormality was detected or the SD memory card is configured not to be used	Lights off
SD ERROR/ABF indicator (X4173 X4172) SD ERROR indicator (S4151)	Blinks red (Interval of 1 time/second)
When the network camera is being started	Lights red
When an SD memory card is recognized normally	Lights red → Lights off
When the SD slot is not used or an abnormality is detected in SD card after the camera has started	Lights red → Stays red

■ Buttons

INITIAL SET button (Initializing)
Follow the steps below to initialize the network camera. Retry if the camera does not start up normally.

SD ON/OFF button

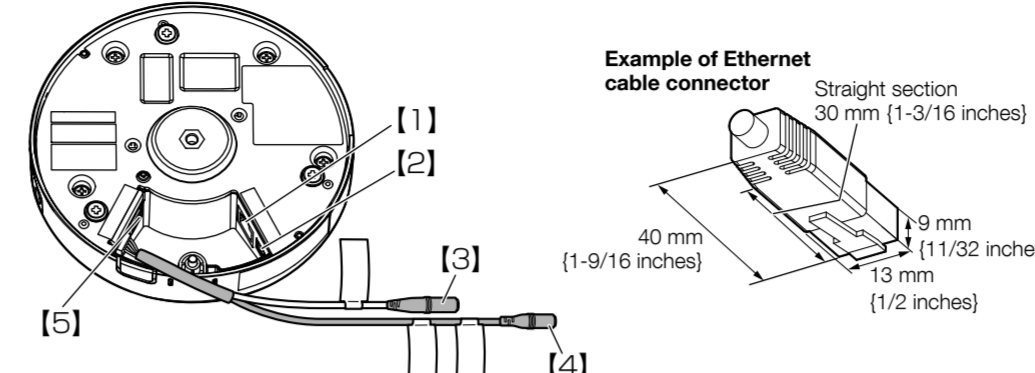
- When the SD ON/OFF button is pressed (less than 1 second), the SD MOUNT indicator lights up in green and data can be saved to the SD memory card.
- When the SD ON/OFF button is held down (about 2 seconds), the SD MOUNT indicator lights off and the SD memory card can be removed.

*Do not turn off the power of the camera during the process of initialization. Otherwise, it may fail to initialize and may cause malfunction.

Step3 Making connections

IMPORTANT:

- Devices to which power can be supplied to this product are PoE hub, PoE power supplying equipment, and external 12 V DC power supply. (X4173 S4151)
- Turn off each system's power supply before making a connection.



- Connect an Ethernet cable to the RJ45 network terminal.
- When connecting an AC adaptor or an external power supply, use the power cord plug (accessory) to connect it to the camera. (X4173 S4151)
 - Strip 3 mm to 7 mm (1/8 inches to 9/32 inches) from the end of the output cable of the AC adaptor. Twist the stripped part of the wire sufficiently to avoid short circuit.
 - Loosen the screws of the power cord plug and then insert the output cable of the AC adaptor into the power cord plug.
 - Tighten the screws of the power cord plug. (Recommended tightening torque: 0.34 N·m [0.25 lbf·ft])
 - Attach the power cord plug to the Power supply terminal (12 V DC) of the camera.

Step4 Mount the camera

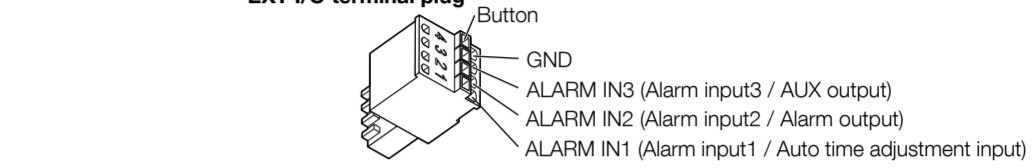
- Align the OPEN mark of the side of the camera with the nail of the attachment plate, insert 3 attachment mounting screws into the attachment plate, and rotate the camera by approximately 20° and temporarily fix it. (Align with the "I" at the center of the LOCK mark with the position of the nail of the attachment plate.)

Note:

 - After the camera has been installed, the orientation of the video can be finely adjusted. For information on how to make adjustments, refer to "Step 5 Adjustment".

- If needed, connect a microphone or the line out of an external device to the audio input terminal. (X4173 S4151)
 - If needed, connect a powered speaker to the audio output terminal. (X4173 S4151)
- Note:**
- This camera can change the audio output to the monitor output. Refer to the Operating Instructions for information about changing the audio output.

- If needed, connect the alarm I/O cables to the EXT I/O terminal plug (accessory). (X4173 S4151)
 - Remove 8 mm - 9 mm (5/16 inches - 11/32 inches) of the outer jacket of the cable and twist the cable core to prevent the short circuit first. Specification of cable (wire): 20 AWG - 26 AWG, Single core, twisted
 - Push down the button of the desired terminal on the EXT I/O terminal plug with a ballpoint pen, and release the button when the cable of the external device is fully inserted into the terminal hole.
 - Connect the EXT I/O terminal plug to the EXT I/O terminal of the camera.



- Note:**
- Do not connect 2 wires or more directly to a terminal.
 - When it is necessary to connect 2 or more wires, use a splitter.
 - Check whether the stripped part of the wire is not exposed and is securely connected.
 - The default of EXT I/O terminals is "Off". Refer to the Operating Instructions for further information about the EXT I/O terminal settings.
- As necessary, use a cable tie (accessory) to tie the cables together.

Step1 Preparations

- Remove the cable for easy kitting. Do not use for actual installation.
- Remove the power cable plug (accessory) and the EXT I/O terminal plug (accessory) attached to the camera. (X4173 S4151)
- If needed, connect the audio cable (accessory) to the audio cable connector. (X4173 S4151)

Note:

 - When disconnecting the audio cable (accessory), pull out the audio cable while holding down the hook of the connector.

- When mounting the camera on using the ceiling mount bracket (locally procured). (X4173 S4151)
 - Remove the wire lug fixing screw from the bottom of this product, and attach the safety wire lug (accessory) to the camera with the screw.
 - Engage the safety wire (accessory) with the wire engaging hole.

IMPORTANT:

- Attach the safety wire lug (accessory) in the direction that is shown in the enlarged illustration at right.
- Use the wire lug fixing screw to attach the safety wire lug (accessory). When using different length screws, it may damage the camera or cause the camera to fall. (Recommended tightening torque: 0.39 N·m [0.29 lbf·ft])

- If necessary, insert an SD memory card beforehand by referring to "Insert an SD memory card" in "Insert / remove an SD memory card".

Step2 Processing the installation surface (process according to the installation type)

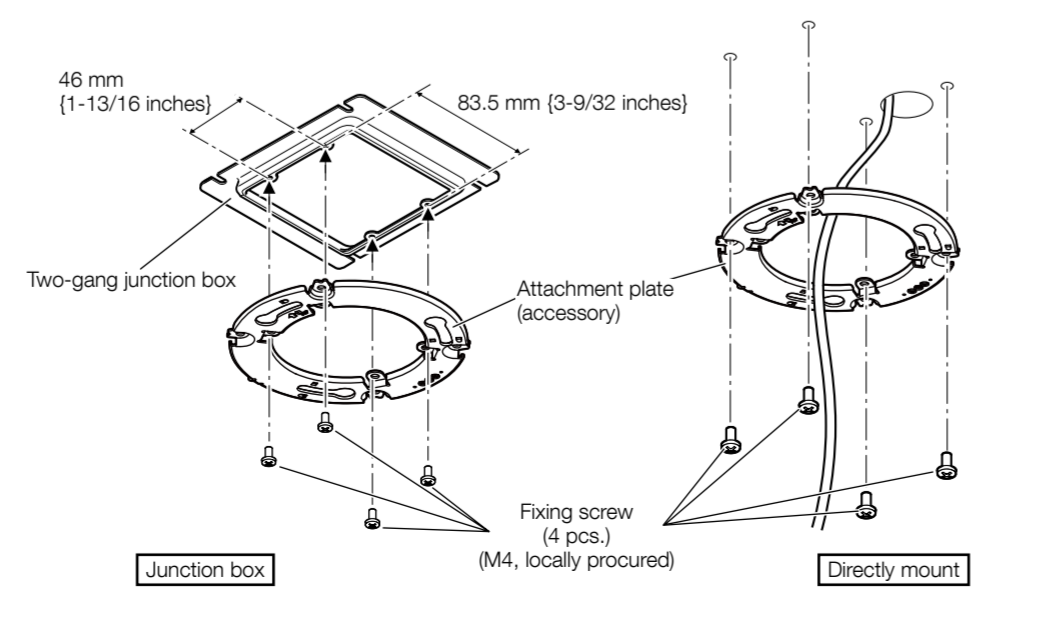
Common Minimum pull-out strength: 196 N {44 lbf} (per 1 pc.)

Junction box Mount the camera on the two-gang junction box using the attachment plate (accessory).

Directly mount Drill a hole in the installation surface using template A (accessory). Directly mount the camera onto the ceiling or wall surface using the attachment plate.

Note:

- Attach the attachment plate (accessory) so that the "TOP" mark faces toward the opposite side of the attachment face (camera installation side).
- Align the TOP direction of the attachment plate (accessory) with the shooting direction (upper direction of the screen), and make holes for securing the camera and holes for wiring (if necessary). When using a double panorama, align the TOP2 direction of the template with the shooting direction (upper direction of the screen). ⇒Refer to our support website <Control No.: C0126> After installation is complete, the camera body can be adjusted by ±5° in the PAN direction.



Step5 Adjustment

See the captured image on a PC, and follow the procedure described below for fine adjustment of the upper direction of the screen (camera direction). For camera fixation, three points are available considering "I" of the LOCK mark as 0°; 0° (center), +5° (rightward), and -5° (leftward).

- Download and launch the IP Setting Software and connect to the network by following information described on our support website <Control No.: C0123>.

- Use a slotted head screwdriver to open the camera fixing screw cover, and then use a cross slot screwdriver to loosen the camera fixing screw.

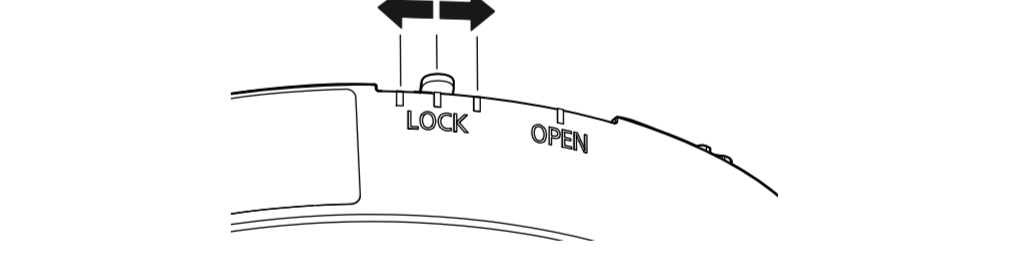
IMPORTANT:

- Loosening the camera fixing screw allows the camera to be in the temporary fixed state.

- Move the LOCK position of the camera clockwise or counterclockwise to finely adjust the image direction while seeing the captured image on a PC.

IMPORTANT:

- Turning the camera counterclockwise too much removes the camera from the attachment plate. Be careful not to do so.



- Secure the camera by tightening the camera fixing screw, and then close the camera fixing screw cover.

IMPORTANT:

- Be sure to tighten the camera fixing screw. Failure to observe this may cause camera trouble due to camera falling. (Recommended tightening torque: 0.78 N·m [0.58 lbf·ft])

Insert / remove an SD memory card

- Insert an SD memory card**
- Loosen the SD slot cover fixing screw, and open the SD slot cover.
 - Push the back end of the SD memory card until it is inserted up to the upper part of the SD guide rib, and confirm that a clicking sound is made.
 - Take your fingers off the SD memory card and check that its rear end of SD memory card does not protrude over the upper part of the SD guide rib.
 - After the SD memory card has been inserted, press the SD ON/OFF button, and make sure the SD MOUNT indicator is continually lit. (If you do not press the SD ON/OFF button after inserting the SD memory card, the SD MOUNT indicator is automatically lit approximately 5 minutes later.)
 - Attach the SD slot cover to its original position.
-

- Remove an SD memory card**
- When removing an SD memory card, reverse the procedure for inserting an SD memory card. Press and hold the SD ON/OFF button for approx. 2 seconds, and then remove the SD memory card after checking that the SD MOUNT indicator has changed from blinking to off.
- IMPORTANT:**
- Before turning off the power supplying equipment, make sure that the SD MOUNT indicator is turned off.

Note:

- When using an SD memory card, format it using this product. Refer to the Operating Instructions for how to format an SD memory card.
- Use compatible SD memory cards. Refer to our support website <Control No.: C0107> for latest information about the compatible SD memory cards.