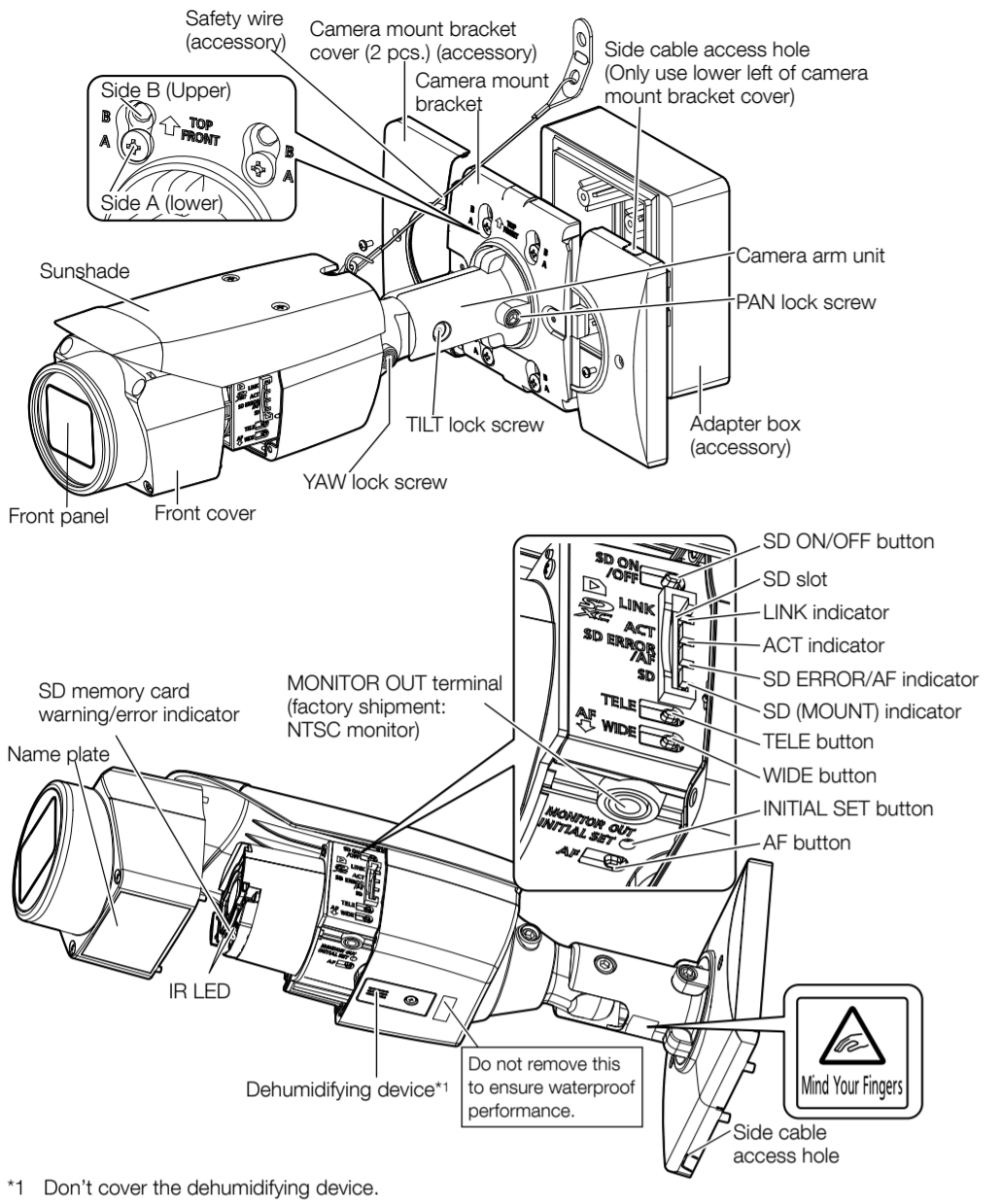


Parts and functions



Indicators

Note:

- Lighting/blinking LED can be turned off with the software settings at any time. (The initial state is lighting or blinking.) Refer to the Operating Instructions for information about settings.

LINK indicator When the camera is able to communicate with the connected device	Lights orange
ACT indicator When data is being sent via the network camera	Blinks green (accessing)
SD (MOUNT) indicator When an SD memory card is inserted and could be recognized	Lights off → Blinks green → Lights off Lights off → Lights green → Lights off
When data can be saved after the SD memory card is inserted and the SD ON/OFF button is pressed (less than 1 second)	Lights green
When data can be saved to the SD memory card	Lights green
When the SD memory card is removed after holding down the SD ON/OFF button (about 2 seconds)	Lights green → Blinks green → Lights off Lights green → Lights off Lights off
When data cannot be saved to the SD memory card because an abnormality was detected or the SD memory card is configured not to be used	(recording) Lights red → Lights off (waiting for recording) Lights red → Lights off
SD ERROR/AF indicator When AF (Auto Focus) operation is being executed	Blinks red (Interval of 1 time/ second)
When the network camera is being started	Lights red
When an SD memory card is recognized normally	Lights red → Lights off
When the SD slot is not used or an abnormality is detected in SD memory card after the camera has started	Lights red → Stays red
SD memory card warning/error indicator (off in the initial state) When a warning status is detected (SD memory card warning detection conditions: After the total use time has exceeded 6 years and the number of overwrite times has exceeded 2000)	Lights red
When an error status is detected (SD memory card error detection conditions: Write error, read error, etc.)	Blinks red

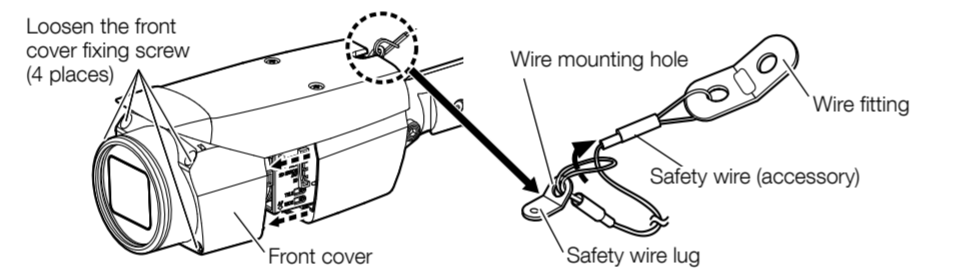
Buttons

- INITIAL SET button (Initializing / NTSC ⇔ PAL switch button)**
Follow the steps below to initialize the network camera. Retry if the camera does not start up normally. When the INITIAL SET button is pressed (less than 1 second), the MONITOR OUT terminal can be switched for the NTSC monitor ⇔ PAL monitor. The monitor out is set to NTSC in the default settings of the camera.
- Turn off the power of the camera** → **Turn on the power of the camera while pressing the INITIAL SET button*** (15 seconds) → **Make sure to release the button** (around 2 minutes) → **Turn on the power of the camera**. The camera will start up and the settings including the network settings will be initialized.
- *Do not turn off the power of the camera during the process of initialization. Otherwise, it may fail to initialize and may cause malfunction.
- SD ON/OFF button**
 - When the SD ON/OFF button is pressed (less than 1 second), the SD (MOUNT) indicator lights up in green and data can be saved to the SD memory card.
 - When the SD ON/OFF button is held down (about 2 seconds), the SD (MOUNT) indicator lights off and the SD memory card can be removed.
- AF button** Press the AF button to automatically adjust the focus.
- TELE button** Press the TELE button to adjust the zoom ratio to the "Tele" side.
- WIDE button** Press the WIDE button to adjust the zoom ratio to the "Wide" side.

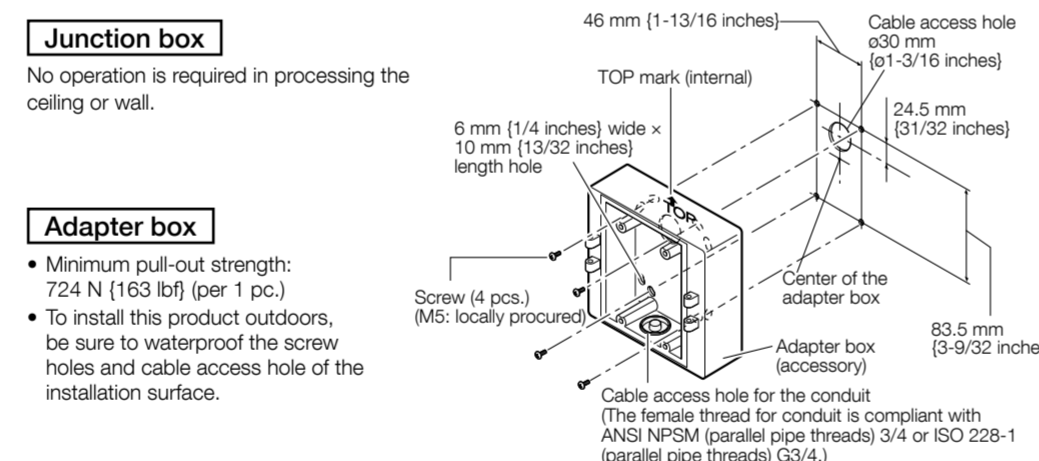
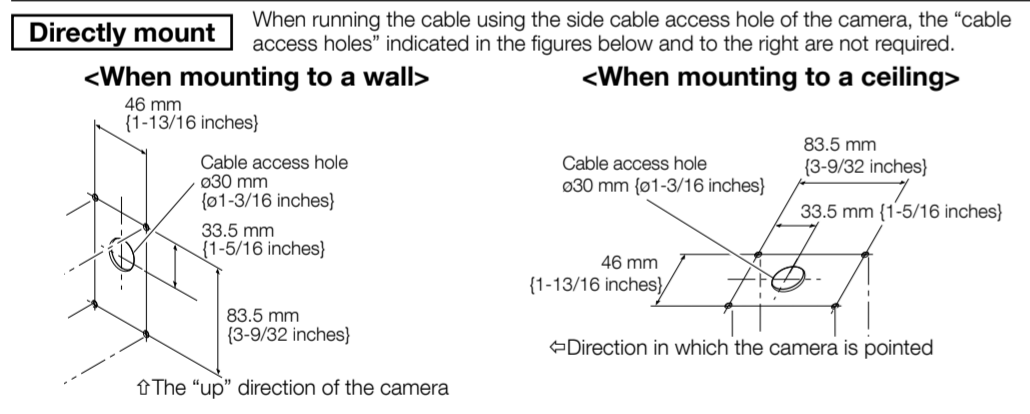
*1 Don't cover the dehumidifying device.

Step1 Preparations

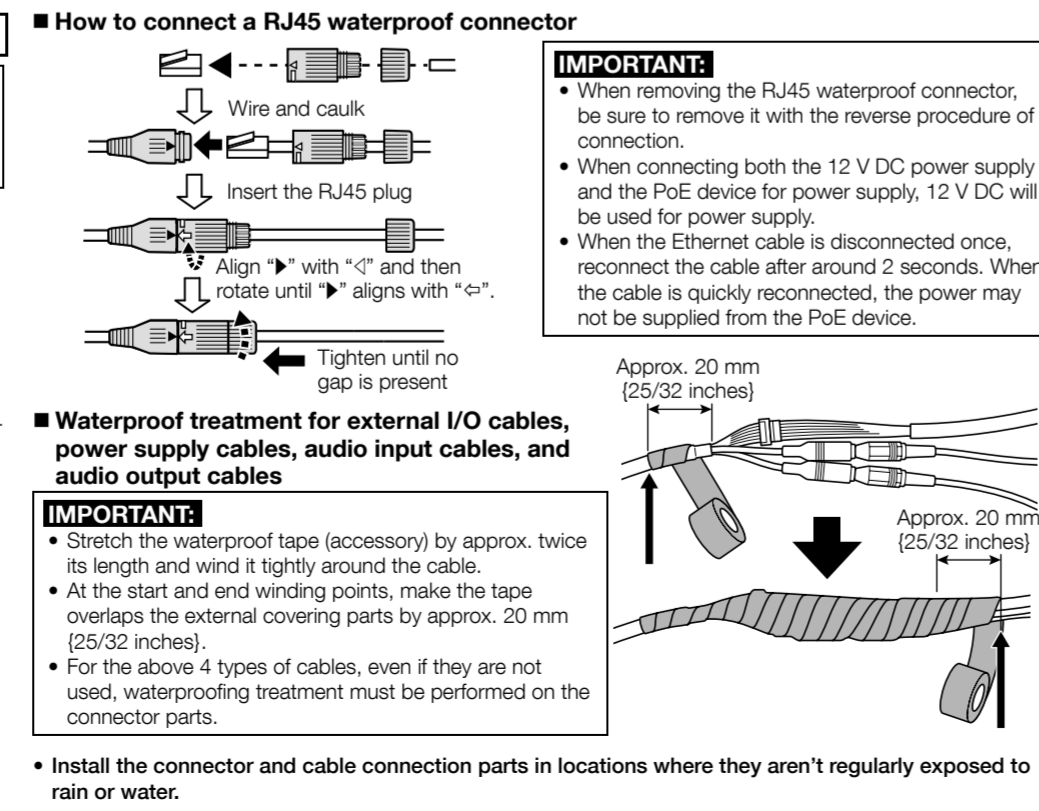
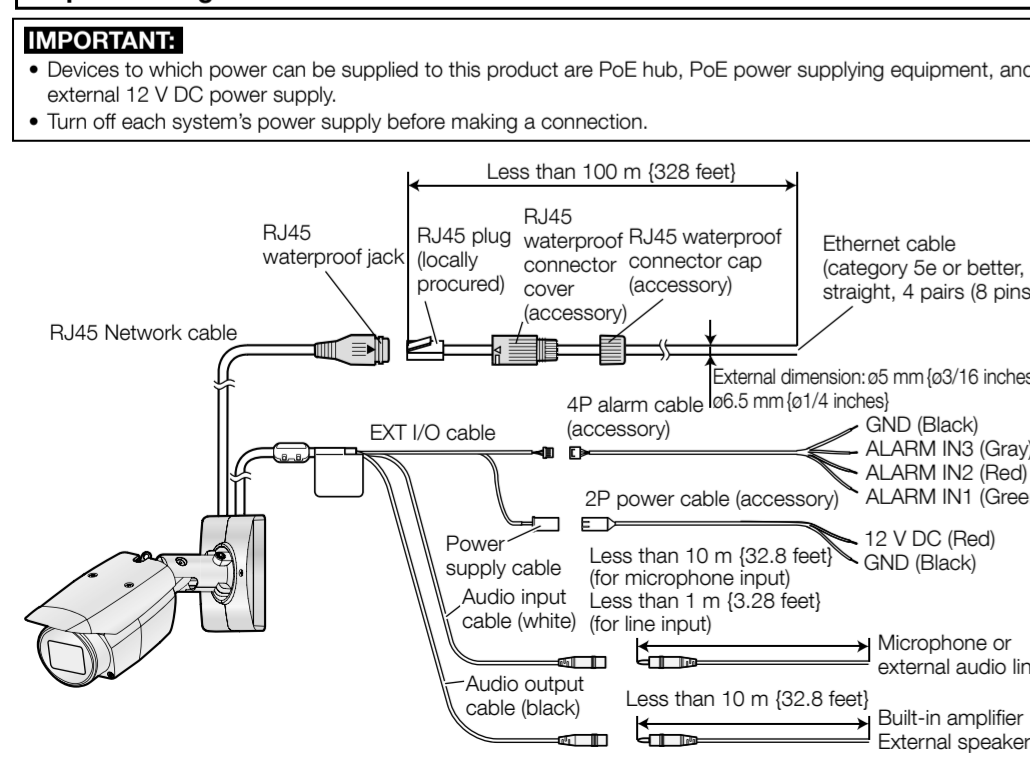
- Attaching the safety wire.**
- Remove the front cover.**
Do not remove the protection film.
- Insert an SD memory card into the SD slot, if necessary.**
Refer to "Insert / remove an SD memory card" on the bottom right for information on how to insert/remove the SD memory card.



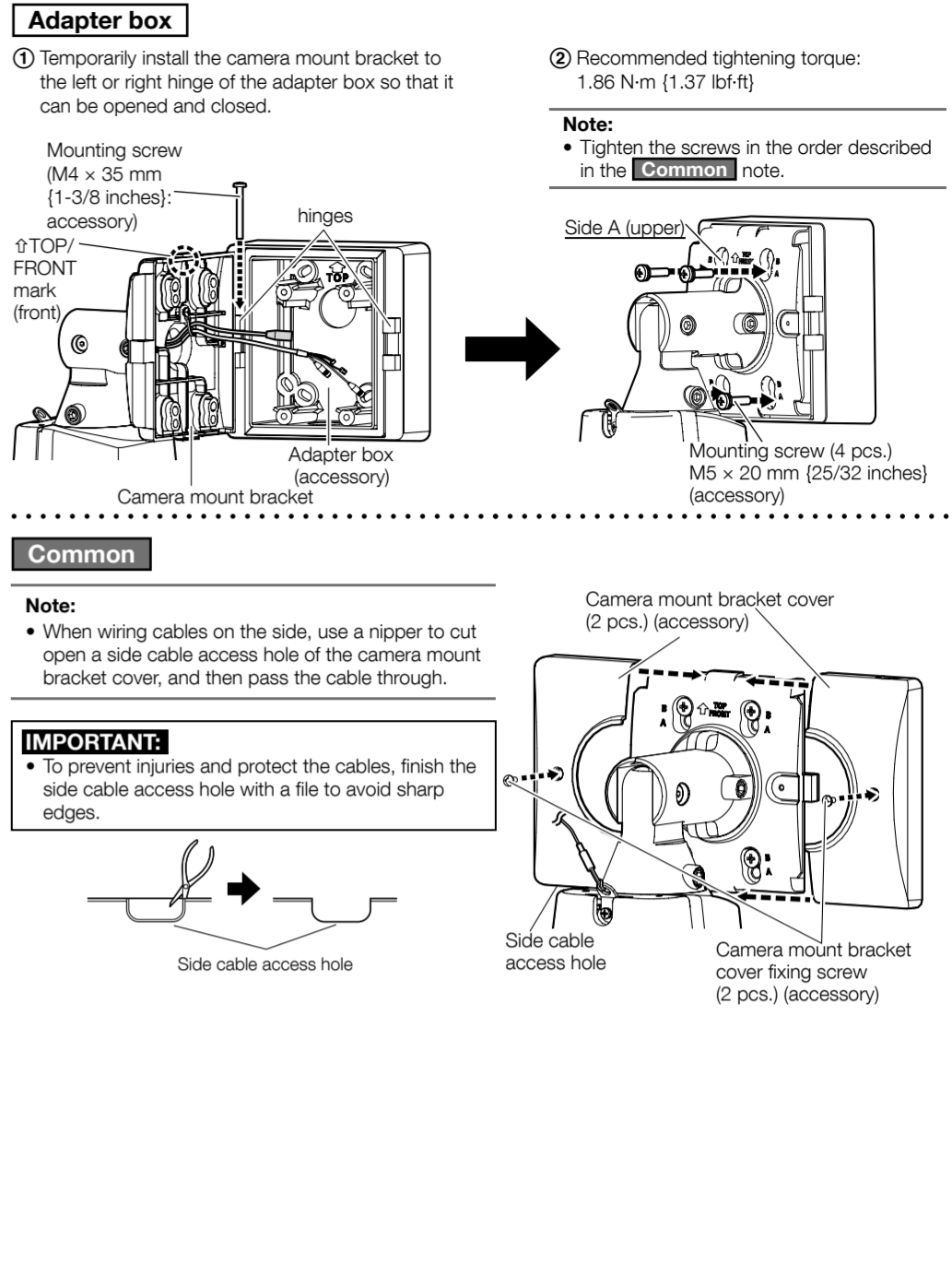
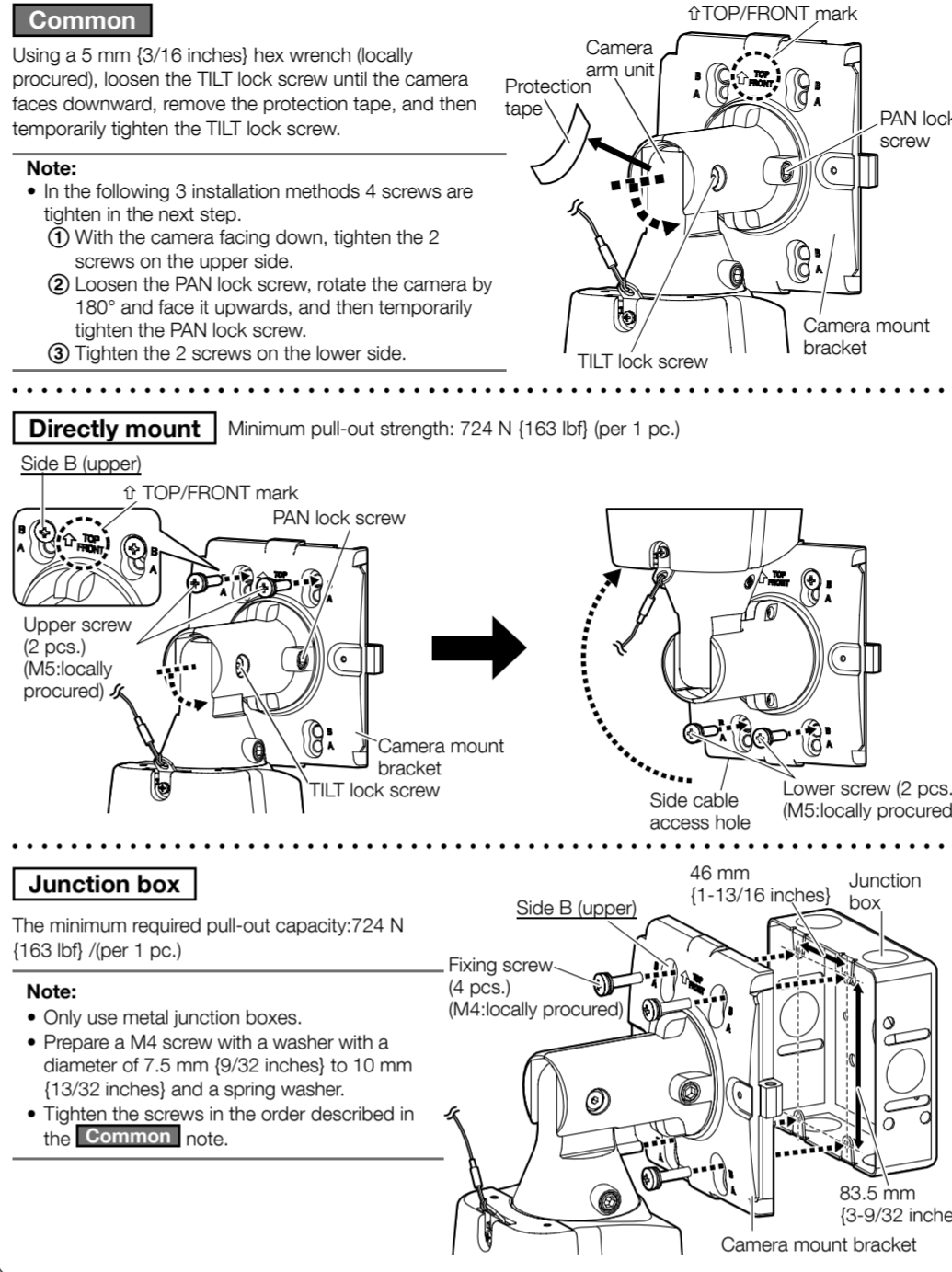
Step2 Processing the installation surface (process according to the installation type)



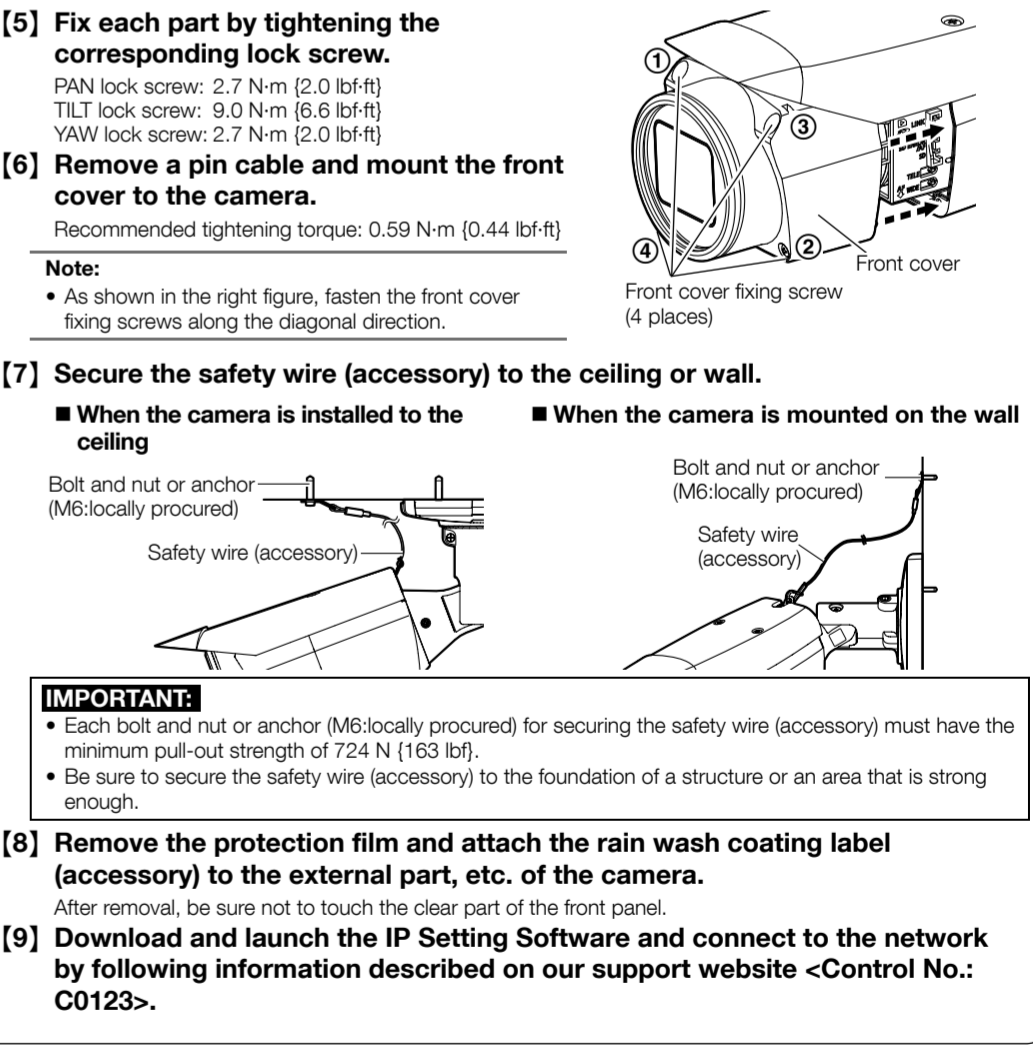
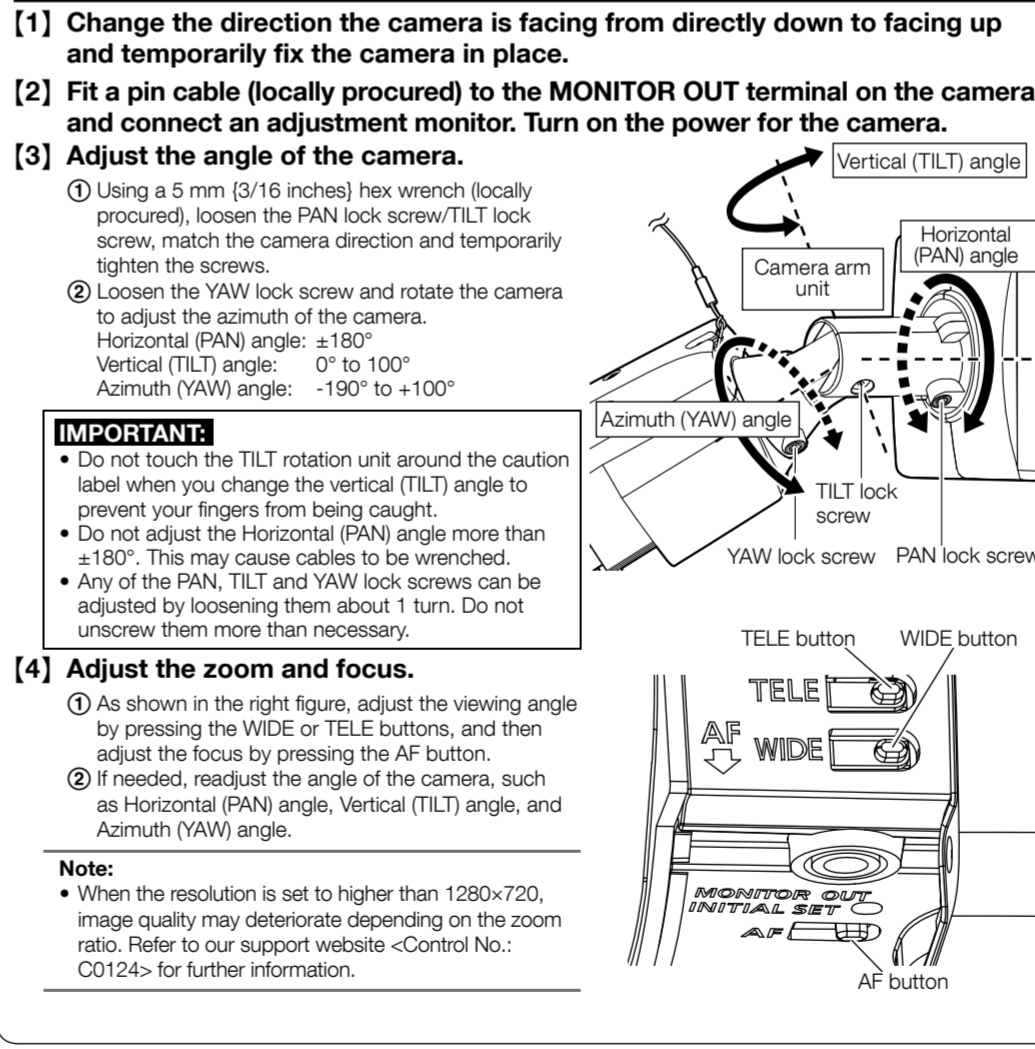
Step3 Making connections



Step4 Mount the camera



Step5 Adjustment



Insert / remove an SD memory card

